

TECHNICAL SPECIFICATION

HUSHHYBRID
HUS-BX-020



ELECTRIFICATION

- 1 LED ceiling light.
- 2 Power module (power, USB Type A, USB Type C). Fast charger max. 5A.
- 3 Motion sensor activated lighting and airflow.
- 4 Two LED stripes illuminating the face (optional).

VENTILATION SYSTEM

- 5 Air ventilation (motion sensor activated):
 - fans – 2,
 - maximum performance of the single fan – 120 m³/h*,
 - total time of air change inside – 90 seconds**.

EXTERIOR

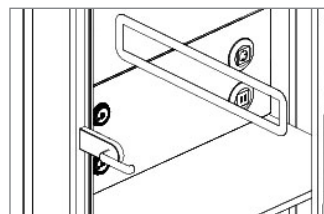
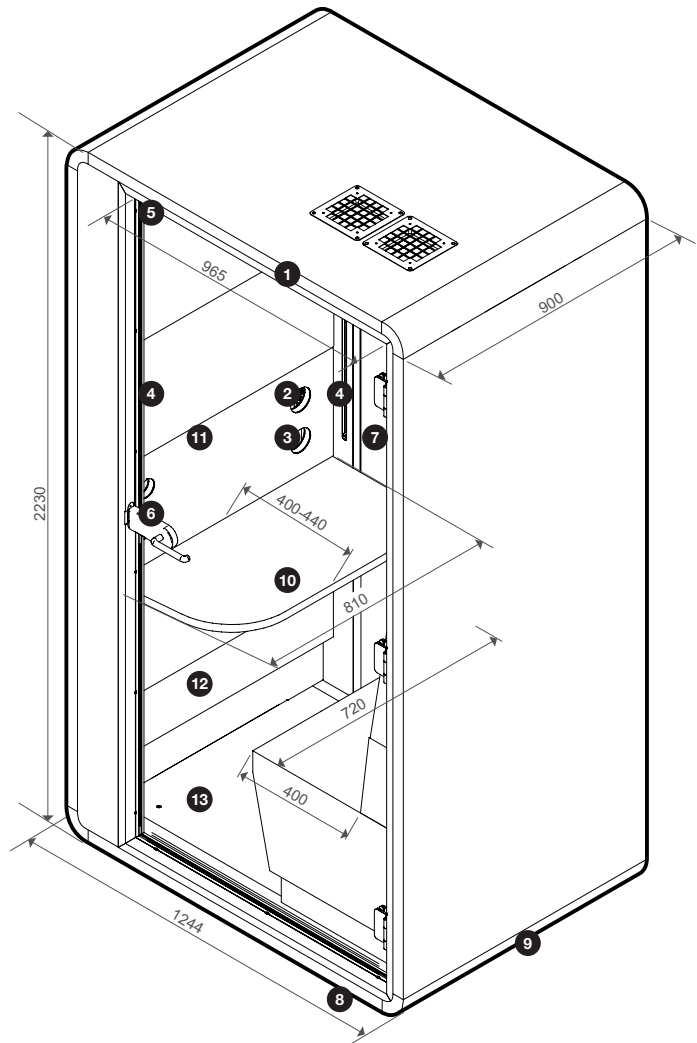
- 6 Acoustic laminated glass door 2067 x 954 mm with anodized aluminum latch handle.
- 7 Acoustic laminated rear side glass panel – clear or frosted – 2079 x 968 mm.
- 8 Integrated castors with levelling feet.
- 9 3600 mm cable with 230v plug. Power cable access from base.

INTERIOR

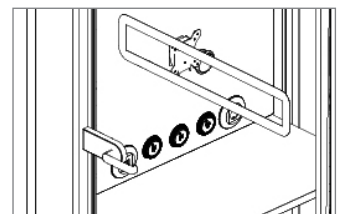
- 10 Table top with adjustable depth 810 x 400-440 mm.
- 11 VESA mount 100 x 100 mm for monitor/computer 27", max 8 kg, cable grommet.
- 12 Replaceable acoustic fabric tiles.
- 13 Integral carpeted floor.

* Calculation based on the measured efficiency of one fan, taking into account losses in the ventilation system.

** Calculation based on the volume and capacity of one fan.



Position of the control dials
without a computer/screen holder



Position of the control dials
with a computer/screen holder



W/H/D: exterior 1244 x 2230 x 900 mm
interior 965 x 2010 x 810 mm

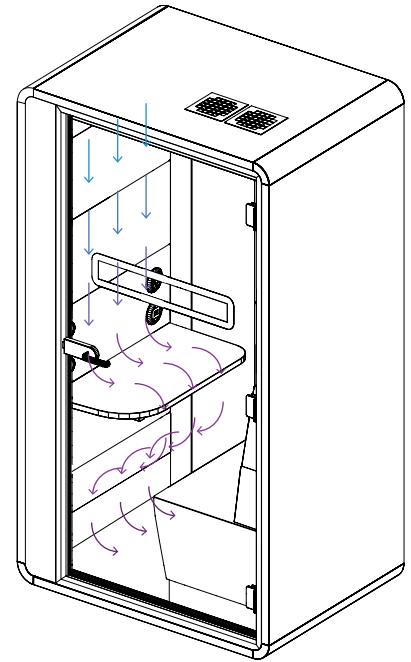
Weight: 335 kg

Weight with crate: 430 kg



hushoffice

HUSHHYBRID
HUS-BX-020



ELECTRICAL SPECIFICATION

POWER MODULE: with UL standard electric 230V, USB A (2,4A), USB C (5A) – in black color.
MAXIMUM POWER CONSUMPTION OF THE PRODUCT: 27.5W.
CABLE: Length of the cable – 3600 mm. Power cable access from base. Soft wired, hardwire available.
LIGHTING POWER: Ceiling light – 6,4W/150 lm, Additional LED stripes – 2 x 2.4W.
COLOR OF LIGHT: Ceiling light – 4000K, Additional LED stripes – 4000K.

MATERIAL SPECIFICATION

EXTERIOR MATERIAL	3 layer honeycomb board, 38 mm thickness, both sides melamine covered, finished with zero-joint edge laser technology		
FRONT AND BACK GLASS PANEL	acoustic, laminated safety glass (RW = 35 dB), also include the thickness 2 x 5 mm glass, 2 x acoustic sheet, safety manifestation on front		
TABLETOP	3-layer melamine chipboard, 25 mm thickness		
INTERIOR PANELS	high-density LDF (HDF) 3 mm thickness, covered with non-flammable polyurethane foam (optional), upholstered		
UPHOLSTERY	HAITI <ul style="list-style-type: none"> weight: 220 g/m² composition: 100%PL, abrasion resistance: 100.000 martindale cycles (EN ISO 12947-2) pilling fastness: 5 	PETRUS <ul style="list-style-type: none"> weight: 389 g/m² composition: 100%PL abrasion resistance: 80.000 martindale cycles (EN ISO 12947-2) light fastness: 3-4 (EN ISO 105B02) flammability: cigarette and match 	WOOL <ul style="list-style-type: none"> weight: 325 g/m² composition: 70%WO, 20%PL, 5%PA, 5%AF abrasion resistance: 100.000 martindale cycles (EN ISO 12947-2) fastness to rubbing: wet: 4/5; dry: 4/5 (ISO 105-X12) light fastness: 5 (EN ISO 105B02) flammability: cigarette and match (BS-EN 1021-1, 2) (BS 5852-0, 1), CAL 117 (class 1), ASTM 84 (class 1)
FLAME RETARDANT FOAM	<ul style="list-style-type: none"> flexible polyurethane composition technology without using any fluorocarbons (freons), nor with volatile organic solvents (eg. methylene chloride) 		
STOOL SEAT	integral		
DOOR HANDLE AND HINGES	anodized aluminum or aluminum painted in dark gray		
CARPET	for commercial intensive use (designed for Hotel room, Hotel suite, Boutique, Shop, Restaurant, Conference room, High traffic office, Reception, Stairs)		

SEISMIC ANCHORAGE

All hush products come with Seismic Anchoring capability as standard. Hush products are certified and have been tested in accordance with IBC, ASCE 7-16, ACI 318-14, AISC 360-10. Instructions on how to anchor are available on request.

CERTIFICATION



SUSTAINABILITY

Hush booths are manufactured in a ISO 9001 and 14001 certified production facility in Poland by Mikomax Smart Office. They are compliant with the ISO 14001 Environmental Management System Standard. Hush is packed and delivered in light cardboard boxes which are recycle-friendly.