





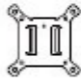



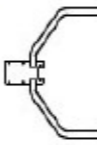






Xtend
Desk Converter
Installation Instructions

WARNING

Please read these instructions completely before installing and using such electric equipment. Improper installation or improper use may result in injury or damage to property.

- If there is any problem during installation, please contact local qualified installation person.
- If accessories are damaged or lost, please turn to supplier for help.
- Check whether the cables come with distortion protection.
- The factory doesn't take any legal responsibility for product damage caused by self-rebuild, improper installation, over-loading, improper using or normal wear.
- Please don't use product other than for its designed purpose.

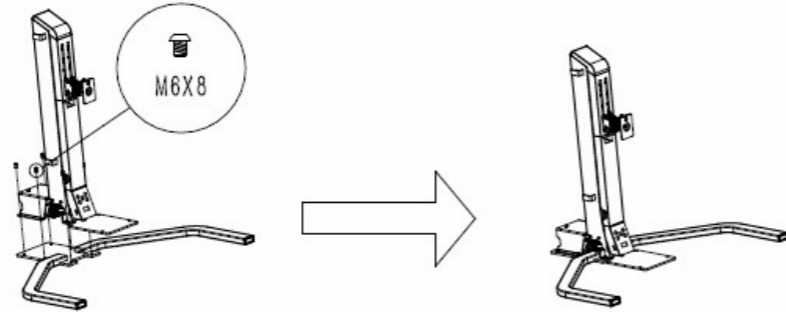
PARTS LIST

<p>Column</p>  <p>*1</p>	<p>Power cord</p>  <p>*1</p>	<p>Monitor bracket</p>  <p>*2</p>	<p>Fixed sleeve</p>  <p>*4</p>	<p>Bracket</p>  <p>*1</p>
<p>Bottom case</p>  <p>*1</p>	<p>Base</p>  <p>*1</p>	<p>Table top</p>  <p>*1</p>	<p>Double-screen bracket</p>  <p>*1</p>	<p>M6x8</p>  <p>*6</p>
<p>M6x12</p>  <p>*4</p>	<p>M5x10</p>  <p>*1</p>	<p>M6x45</p>  <p>*1</p>		

INSTALLATION STEPS

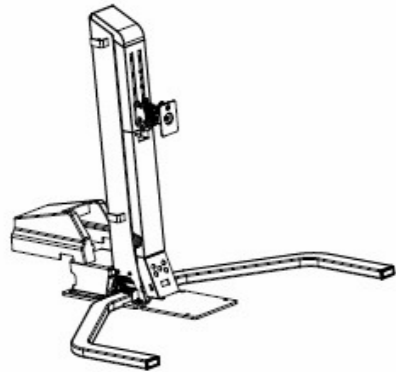
STEP 1

Connect base and column with 6 screws (M6x8).



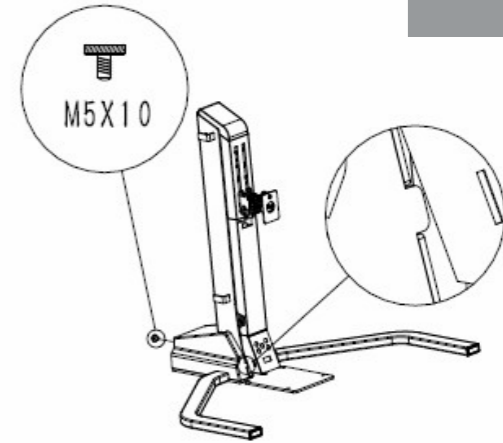
STEP 2

Connect bottom case and column.



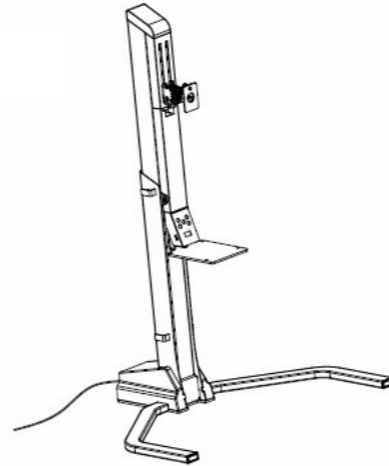
STEP 3

Tighten 1 screw (M5x10) to secure bottom case to column.



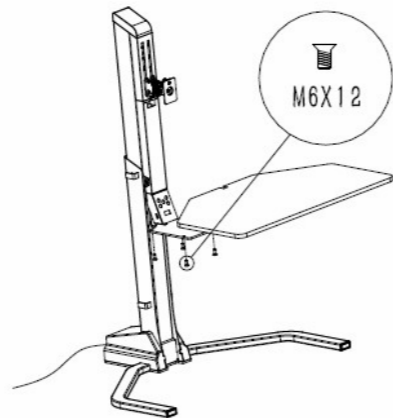
STEP 4

Raise your desktop converter to the highest point after plugging in power cord.

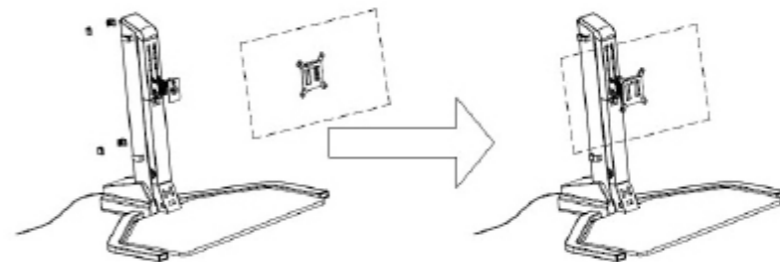


STEP 5

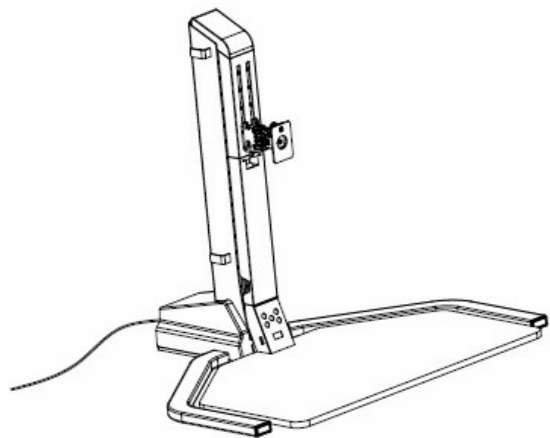
Use 4 sunk screws (M6x12) to fix table top to the column.

**STEP 7**

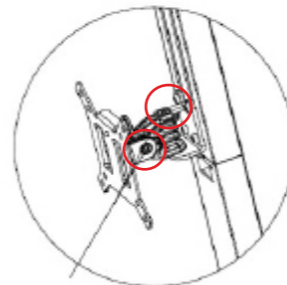
Mount the bracket to the column, then install fixed sleeve after you tidy up the power cord.

**STEP 6**

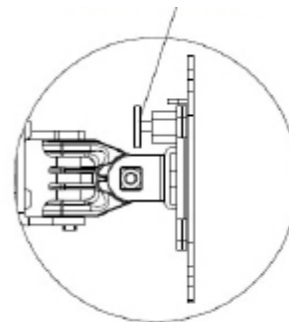
Lower your desktop converter to its lowest height.



Take off monitor bracket after pulling the spring pin.



Adjust tightness of the monitor bracket by adjusting 2 screws on the bracket.





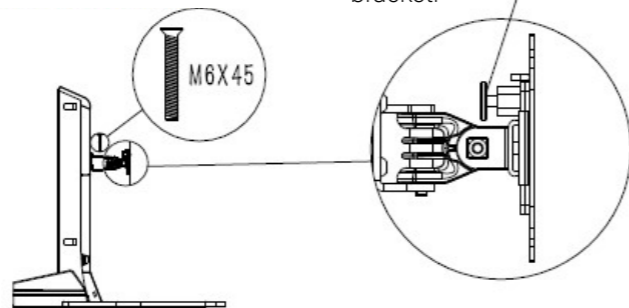
Xtend Dual Desk Converter

Installation Instructions

INSTALLATION STEPS

STEP 1

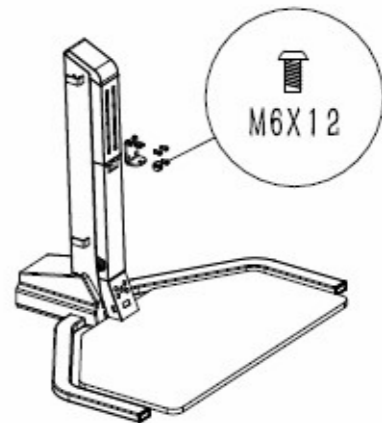
Take off monitor bracket after pulling the spring pin.



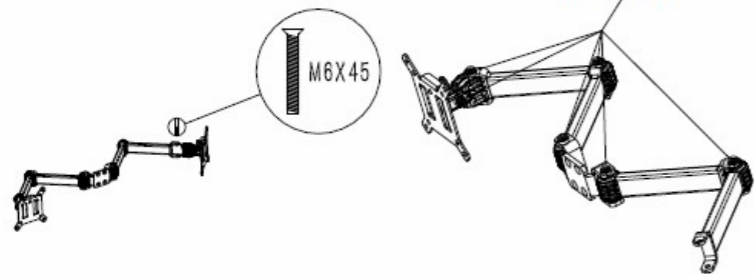
Take down the monitor bracket after you have removed the screw (M6 x 45) on the bracket.

STEP 3

Take down the single-screen bracket after you have removed 4 screws (M6x12) on the bracket.



Adjust the whole bracket tightness by adjusting screws on the bracket.

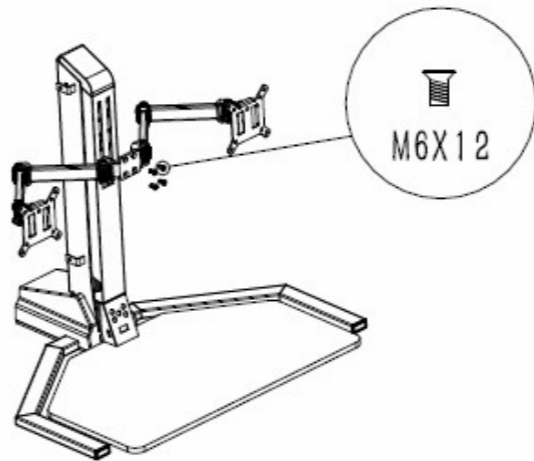


STEP 2

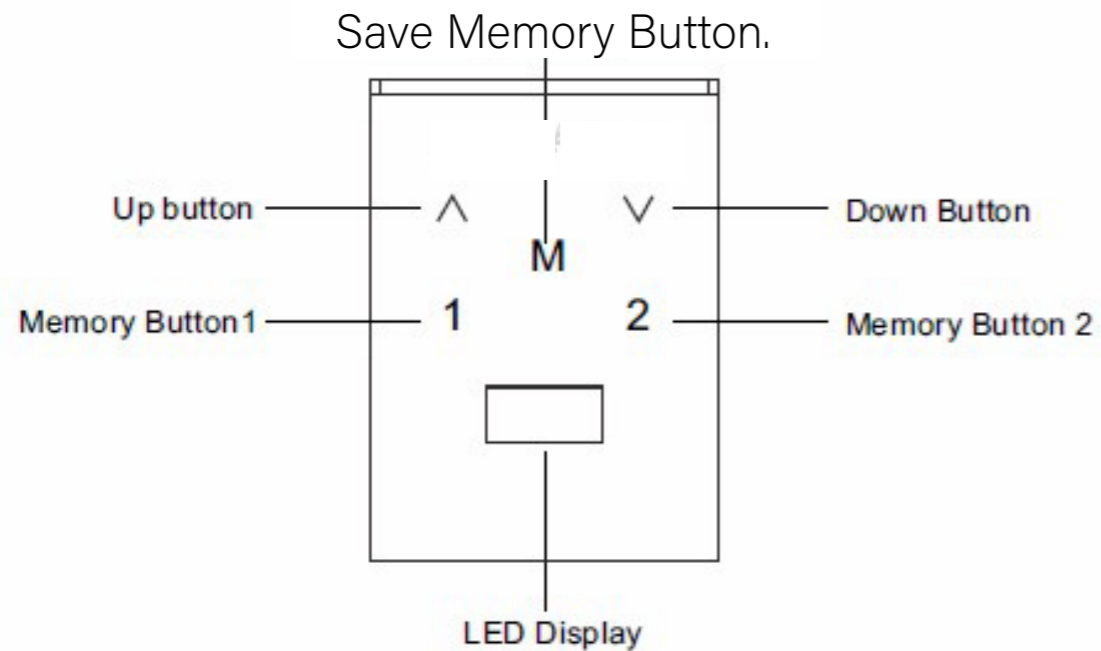
Install the monitor bracket on the Double-screen bracket.

STEP 4

Install double-screen bracket to the column with 4 screws (M6x12).



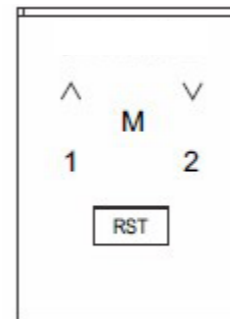
BUTTON INSTRUCTION



Setting the memory pre-set buttons

Press "M" button first, then press "1" or "2" to remember current height.

TROUBLE SHOOTING

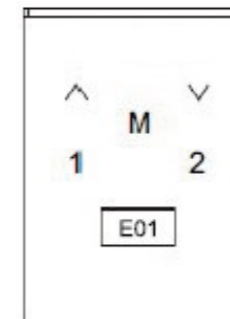


Case 1:

LED RST flashing—System should be reset.

Operation:

1. Ensure all the power cords, connecting cables and handset cord are connected correctly
2. Press 'V', the column will move down to the lowest position
3. Press 'V' again and hold until 'RST' flashes on the LED
4. Press 'V' again – the Column will go down by roughly 7mm, and go back up
5. Your reset is now complete, and your convertor is ready to use.

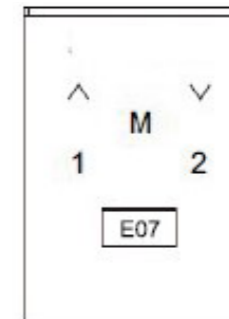


Case 2:

LED displays E01—Overcurrent protection.

Operation:

1. Press any button, LED will display "RST" .
2. Reset.

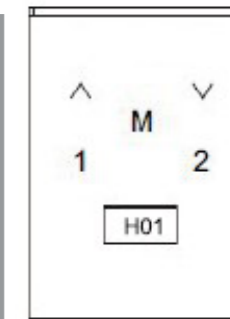


Case 3:

LED displays E07—Abnormal of hall feedback.

Operation:

1. Press any button, LED will display "RST" .
2. Reset.



Case 4:

LED displays H01—Overheating/Work protection.

Operation:

Rest 18 minutes first, then operate.
(In case of emergency, shut down the power, and power on again, product can work normally.)